

Around Ashton

Community news from Ashton Hayes and Horton-cum-Peel Parish Council
Summer 2026

Scouting in Ashton

Over the last year great progress has been made in renovating the Ashton Scout hut. Village residents will have noticed the tradesmen on site who have repaired the outer shell of the building and upgraded all the electrics. Over the last 6 months volunteers from Ashton and Hayes have continued this work as well as improving the toilets and kitchen facilities. We can now welcome young people to the site and the first visit has been made by Tarvin and Ashton Cubs with Beavers, Scouts, Rainbows, Brownies & Guides from Ashton, Tarvin and surrounding villages likely to follow over the summer.

Whilst this is an important step in improving the facilities for young people in the area we want to do more. Since the closure of the Scout Troop in Ashton we have not been able to provide as many places in Scouting as in the past. We want to change this but to do so we will need your help.

Volunteering with us

Our scout leaders are a friendly, dedicated team who love getting outdoors and watching our young people grow in confidence.

You don't need scouting experience to join us or be a survival expert, simply a willingness to try new things. Adult volunteers can support us in lots of different ways. We are grateful for any time you can spare.



If you would like to chat about joining our friendly team, please email: tarvinscoutsvolunteers@gmail.com

or join us to meet some of our current leaders, find out more about what is involved and try our 'Four Week Challenge'

- Tuesday, 9th June at 7:30.
- Tarvin Scout & Guide HQ, King George V Field.

We will be able to show just how much Scouting can offer to young people as well as explaining what is involved in helping, either as a leader or in one of the many support roles needed to keep things running.

We look forward to seeing and talking with you.

Robin Turney, Chair of Trustees, 1st Tarvin and Ashton Scout Group



Kelsborrow Choir recently presented a cheque for £1600 to The Joshua Tree, a charity supporting families affected by childhood cancers. Their next event raising money for this charity is on their 70th anniversary, Saturday 12th September.

Parish Council Update

Parish Calendar



The Parish Calendar is proving to be invaluable to both organisations advertising their events and the residents looking to find out what is on.

It got a lot of use in the lead up to Christmas and there are already some dates on there for next Christmas!

The calendar is a one-stop shop to find out what is happening in our village.

You can access the calendar from the Parish Council website at <https://ashtonhayesparishcouncil.gov.uk/parish-calendar/> or by scanning this QR code.



How you receive 'Around Ashton'

The 'Around Ashton' Newsletter is an important part of our community communications and is distributed to all households in the parish. The content has varied over the years and the number of pages and costs of production have increased.

Currently, it typically costs £4 per household per year which is funded via the precept. It is published in both paper and electronic forms, and the intent, like many other publications, is to go digital as far as practical, saving paper and printing costs as well as volunteers' effort distributing it.

If you currently receive a paper copy, please consider signing up for the electronic version if you are able to do so, by going to:

<https://ashtonhayesparishcouncil.gov.uk/about-around-ashton/subscribe-to-around-ashton/>

It only takes a couple of minutes to sign up and it will mean the parish will save money thus reducing the charge on the precept.

An additional benefit of signing up for electronic copies is that you will receive 'Around Ashton' up to two weeks earlier by avoiding the wait for it to be printed and distributed by volunteers.

Experience gained by speaking with people whilst delivering the paper copies, has shown in test areas, an 83% switch from paper copies to digital.

Your Parish Council Needs you!

WE NEED YOU!



We currently have 3 vacancies on the parish council and are looking for local residents who wish to get involved and make a real difference to their community.

Becoming a parish councillor offers a unique opportunity to actively shape and improve your local community. It allows you to represent the needs and concerns of residents, influence decisions that affect the area, and contribute to making Ashton Hayes a better place to live. It's a chance to make a real difference by getting involved in local governance and community development. Please contact clerk@ashtonhayesparishcouncil.gov.uk if you would like further information.

Parish Council Update

Full Fibre Broadband Roll Out

openreach

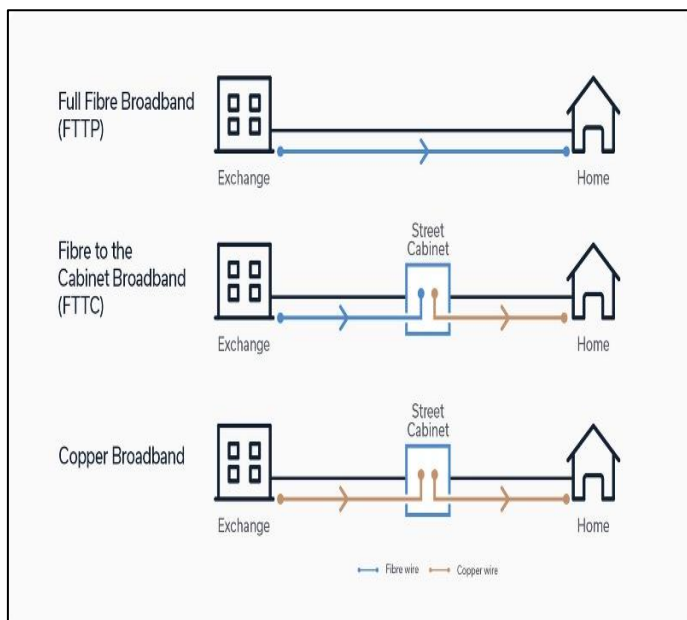
You may already be aware that Openreach have recently upgraded the Fibre Broadband in our area from FTTC to FTTP.

This means that instead of the Fibre stopping in the roadside cabinets and then using copper to reach your house, the fibre can now be taken right inside your property.

This is called Full Fibre Broadband.

Openreach say "That means faster speeds, a stronger and more stable signal, and a connection that won't degrade based on how far your home is from the nearest street cabinet. With download speeds of up to 1,600Mbps available, Full Fibre is the gold standard of home broadband"

If you use the Internet it is definitely worth checking how much the upgrade will cost as, surprisingly, it is sometimes cheaper to upgrade to a higher speed than to stay on a slower speed.



Speed Limit Changes

The planned speed limit change between the recreation field on Ashton Lane and Ashton House Nursery on Church Road was finally completed during the last week of January.

This section of the village is now a 20mph zone and updated speed signage has been installed.

Additionally, as reported in the last edition, a 20mph zone is also being established outside the school during 'drop off' and 'pick up' times. CWaC are currently working on this element.

Please ensure you adhere to the new speed limits within the village for these limits are essential for protecting all road users and reducing the risk of accidents.

Thank you for doing your part to keep our roads safe.

Community Clean Up

The latest community clean up event took place on Saturday 11th April 2026. As usual everyone taking part were rewarded with free drinks and cake afterwards. It was good to note that the amount of rubbish around the parish continues to decrease.

If you would like to take part in future events or if you would like to be on the clean-up mailing list just drop us a line at

communitycleanup@ashtonhayesparishcouncil.gov.uk

The parish council would also like to take this opportunity to thank those of you who regularly pick up litter as you are walking around the parish. You do an amazing job in helping to keep the area so clean and tidy. On behalf of all residents, THANK YOU 😊



Parish Council Update

Around Ashton Publication Dates for 2026

Watch out for your copy. If you would like to submit an article for consideration please send it to aroundashton@ashtonhayesparishcouncil.gov.uk by the deadlines below.

Edition	Publication Date	Deadline for Receipt of Articles
Autumn	Monday 31st August 2026	Friday 7th August
Winter	Monday 30th November 2026	Friday 6th November

Dog Fouling

If you walk around the village and local green spaces you will have noticed the pink poo spray being used to identify dog poo that has not been picked up by the dog's owner.

This is a scheme we run in conjunction with CWaC and local residents volunteered to do the spraying.

We ran the scheme during the whole of April and the results were:

Street Name	Total Poos Sprayed
Whitegate Lane (to the kissing gate)	57
Playing Field perimeter path	5
Peel Crescent	4
Peel Hall Lane	4
Church Road	4
Ashton Lane	3
Dunns Lane	3
West End	2

As you can see, one area is of particular concern and will be the subject of increased monitoring going forward. The laws regarding dog fouling apply equally to all footpaths not just those that are tarmacked. Therefore, you can be fined if you do not pick up after your dog on **ALL** paths. In addition to the stand out location above several other areas of our parish have a problem with dog fouling particularly along routes used regularly by families and children. This issue has been raised repeatedly, yet still remains a frustration for residents, as it continues to impact not only the appearance of our community but

also the safety of those who use these shared spaces.

Most dog owners act responsibly but there continues to be a minority out there who don't and the consequences are felt by the whole community.

The message is simple:

If your dog fouls night or day; on the lead, off the lead or on an extended lead; locate it, bag it and dispose of it in public bins on your walking route or take it home.

Should you have difficulty bending in order to do this, due to mobility issues, please let one of the parish councillors know, so that assistance can be arranged.

You can email us at

clerk@ashtonhayesparishcouncil.gov.uk or telephone us on 07784 486 767.

We ask all dog owners to help keep our community clean by:

- Carrying bags on all dog walks
- Never leave dog waste behind
- Use the bins provided
- Encourage others to do the right thing

With a little more care from all dog owners, we can ensure our shared spaces remain safe, pleasant and enjoyable for the whole community.

CWaC will fine offenders up to £1000, and they have done so on a number of occasions. Therefore, please do pick up after your dog for the benefit of everyone.

Parish Council Update

Electricity supply

In late 2025 it became known to the Parish Council that wide areas of the parish were suffering from electricity outages. Although these were of short duration they were a nuisance requiring devices to be reset afterwards.

Fortunately, a resident had been keeping a log of the outages they experienced and they provided it to the PC.

The PC wrote to Scottish Power expressing concern on behalf of our residents. Initially, the response was not helpful and did not promise any action. However, just before a follow up letter was sent to escalate the matter further, Cllr Dossett had a chance meeting with a SP engineer who had come to investigate an urgent electricity safety problem on the outskirts of the village. The problem found subsequently led to an emergency shut down of the electricity network for a couple of hours.

The outage was communicated in advance to some residents, but not the majority, again causing inconvenience. This lack of communication was fed back to SP who had the original engineer contact us. In conversation he said that SP had recently been doing work in the area to repair a safety issue, restore broken earthing straps from posts into the ground damaged by farm vehicles, clear branches away from overhead wires etc. He also highlighted that further works would be required in April/May and July to replace ageing equipment.

The maintenance works are welcome. SP said that for planned outages, residents would be informed in advance. However, he stressed that this is not always possible for emergency works. Interestingly, we are not aware of any power issues arising since the initial works took place. We will however continue to monitor the situation.

Giant Hog Weed Alert

- A recent sighting of the invasive toxic Giant Hog Weed on the verge of Old Lane has been reported and being dealt with by the council.
- Giant hogweed is a very tall relative of cow parsley, found throughout the UK countryside. It is a non-native invasive plant that poses a serious health risk to people and pets, and should be controlled or removed if it appears in your garden.
- Touching giant hogweed can cause severe and long-lasting skin damage with scarring. Pets are also at risk.
- If you find Giant Hog weed in your garden, you can destroy it using full protective clothing or hire a specialist invasive species expert to remove it. However, please do not put it in a council garden waste or food bin or your own compost bin.
- If you spot it on public land, the council need notified: <https://www.cheshirewestandchester.gov.uk/residents/streams-and-open-spaces/weed-control/invasive-weeds>
- For more information: <https://www.rhs.org.uk/weeds/giant-hogweed>



Traffic Speed Update

The Parish Council would like to share a brief update on ongoing road-safety matters in our village.

Plans are now underway to replace the faulty Speed Indicator Device (SID) currently positioned on Church Road. We appreciate that many residents value the SID as a reminder to keep speeds down, and we are working to ensure a reliable replacement is installed as soon as possible.

We have also been asked by the Police to remind residents not to park within 100 metres of the mobile speed enforcement van when it is operating in the area. Vehicles parked too close to the van can obstruct visibility and reduce the effectiveness of their patrols, which are in place to keep everyone safe.

Finally, a gentle reminder from the Highway Code, Rule 110: flashing headlights should only be used to let other road users know that you are there. They should not be used to send any other message or to intimidate or pressure other drivers.

Thank you for helping us maintain a safe and considerate environment for all who use our roads.

Here we are on the verge of Summer and we at Ashton Hayes WI are taking every opportunity to make the most of what's on offer at local, county and national levels of the organisation. We have recently voted for which Resolution we wished to be put forward to the National Federation of WI's Annual General Meeting, which will be held online once again, in June. This Resolution concerns the "Accessibility of Public Toilets" and if carried at the AGM, will be put to the Government in the form of a mandate and hopefully, action will be taken to rectify the shortage of public toilets in our towns and cities.

But it's not all business at our meetings – we have welcomed more excellent speakers and gained valuable insights into a range of topics. We heard from Hen Johnson, about what the WI's around the country were getting up to during World War II – Ashton Hayes having quite a few tales to tell of their own concerning this time in history. We also welcomed Susan Cowley, whose business is based in Ashton Hayes and she gave us a watercolour demonstration and explained how the designs for her aprons and other goods were produced – these items can be purchased from the Community Shop. Our speaker for June will be historian Tony Bostock, who'll be talking about the "Life of Mary Fitton", who lived in Elizabethan times and came from Gawsworth Hall, near Macclesfield.

Our Bowls and Darts Teams have been practicing regularly, so that they will be on top form when they meet their opponents in the Group and County competitions. Our Quiz Team recently came third in the heat of the Cheshire County Federation Quiz, which was an excellent result. After not having the opportunity to enter an exhibit at last year's Cheshire Show, we're again able to show off the talents of some of our members, in both the WI and individual classes. If you're visiting the Cheshire Show this year, don't forget to go into the WI Marquee and see how we've done! Our members have also enjoyed some outings – a couple of which are worth a special mention. The first being to the Guide Dogs for the Blind Training Centre at Atherton, near Manchester and the second to the Over Allotments at Moss Bank, Winsford (photograph attached). Both visits were thoroughly enjoyed by all who participated. We've also enjoyed a delicious lunch at The Golden Lion and we now hold our monthly Committee Meetings there and are made very welcome by the staff.

Our WI year continues and our membership is still growing! Our Meetings are held on the first Tuesday of the month, in St John's Church at 7.30pm – unless otherwise stated on our Notice Board, which is situated outside the Community Shop.

For more information contact Margaret Sheppard on: 01829 752455





Ashton Hayes Allotment Association

A kind spring, when plantings and sowings got off to an early start. The wary were mindful of the potential for chilly nights but, touch wood, no tender plantings seem to have suffered so far.

Watering and grass mowing (until the mower lost a wheel) have provided members with extra exercise! Fortunately, our moles found more interesting digging 'next door', for a couple of months, but now look like they are planning a return. If one dare hope, the slugs have been deterred by the drier weather.

Early potatoes, broad beans and onions are all showing promise, with rhubarb the star performer so far. Despite our pollinators being preoccupied on the adjacent oil seed rape they must have spent some time on the soft fruit, which generally has a good set of berries, particularly the redcurrants.

We presently have two people on our waiting list, if anyone is interested in joining it, please phone David on 01829 752070 or email: davidrounthwaite@hotmail.com.

Ashton Sings



Join the Lower Voices!

Our community choir is looking for **tenors** and **basses** to strengthen our sound and support the ladies' soprano and alto sections.

Who we are looking for:

- Tenors and basses of any age (complete beginners or experienced singers - no auditions)



Practical details:

- Rehearsals: **Monday evenings 7.30–9.30pm during term time** (including tea/coffee break)
- Venue: **Ashton and Mouldsworth Village Hall** (opposite the church in Ashton Hayes)
- First rehearsal free - No pressure to continue if you decide it is not for you. Approx cost £4.50 per week after first rehearsal.

Interested? Contact us via:

- Email: ashtonsings@yahoo.co.uk
- Phone: Peter Storey 07814 920413
- Website: <https://www.ashtonsings.org.uk/>



THE
GOLDEN
LION

Pie Monday	Burger Bonanza	Chef's Specials
All day Monday	All day Thursday	Friday & Saturday

Book now for Father's Day
Sunday 21st June

Catch the 2026 World Cup live

England v Croatia 17th June 9pm
England v Ghana 23rd June 9pm
Panama v England 27th June 10pm

Quiz Night Wednesday 24th June

Ashton Hayes Scarecrow Trail

Taking place across Ashton Hayes, Manley & Mouldsworth

Important dates: Registration deadline 14th June;
Displays ready 1st July; Trail Photos taken 2nd July;
Trail LIVE 3rd July-19th July

For registration or more info please email The Golden Lion

CELEBRATING 70 YEARS OF SONG : 1956 - 2026

Kelsborrow Choir

We are planning several special events and concerts to celebrate our 70th Anniversary next year – here are some already in the diary:

- Sat 21 March (evening) **National Association of Choirs Concert** at Bryn Coch School, Mold
- Sun 10 May, 2.30pm **Norley Methodist Church** supporting "Older People, Active Lives"
- Sun 19 July, 3.00pm **Hoole Methodist Church**, Hamilton Street, Chester
- Sat 12 September, 7.30pm **70th Anniversary Concert** with special guest, **Jonathan Scott** **St John the Baptist Church** next to the Amphitheatre, Chester
- Fri 9 October, 7.00pm **St Mary Without-The-Walls Church** Handbridge, Chester
- Sun 13 December, 3.00pm **Tarvin Community Centre** Christmas Concert

The Choir is now well-established on the Chester musical scene, performing regularly, including concerts in support of local and national charities. We perform a variety of popular music, something for everyone. The Choir is available for fundraising events, weddings and other social functions. If you have any questions or wish to get in touch, please email us on enquiries@kelsborrowchoir.org or call 07939 645688 for a chat with our Musical Director, John Evans.

We are a friendly and supportive group of singers who meet every Tuesday 7.30pm to 9.30pm at Ashton Hayes and Mouldsworth Village Hall. So, if you sing in the shower, you are the King or Queen of karaoke, or a keen amateur, please come along on a Tuesday, or email/phone for further information.

Kelsborrow Choir 70th Anniversary

Registered Charity No. 1075383



Saturday 12th September, 7.30pm

St John's Church

Vicars Lane, Chester CH1 1QX

Special Guest

International Concert Organist

**JONATHAN
SCOTT**



A fundraising concert
supporting



Supporting Families Affected
by Childhood Cancers
Registered Charity No. 1114000

Admission £20 · Unreserved seating
Complimentary interval refreshments



Enquiries: angiejohnevs@gmail.com

St John the Evangelist
Ashton Hayes

There's No Place Like Home!

Songs of travel and homecoming
performed by

The Vale Royal Singers

7:30pm Friday 19th June 2026

Tickets £12 (inc. post-concert refreshments)

Available from Alan Downen (01829 751174)
or from the Community Shop

All proceeds will be donated to church funds

LIONS
MESSAGE
IN A
BOTTLE
IT COULD HELP
SAVE YOUR LIFE



100
SINCE 1917
WHERE THERE'S A NEED
THERE'S A LION

How does it work?

In the event of an accident or incident, within the home, the first emergency service on the scene will be alerted to the bottle by the label on the door. The bottle can then be located by the attending service.

Just keep it in the fridge

A scheme to benefit everyone.
Provides essential information for the EMERGENCY SERVICES when they need it.



Lions Clubs
International
MD105 British Isles

To order yours please call:
or email: miabcenorder@lions.org.uk

From the Community Shop

Your Local, Friendly Village Shop
Ashton Hayes
Village Shop
Mouldsworth

Fresh, Local and Right on Your Doorstep
Situated in the heart of your village
next door to The Golden Lion

What you can find inside

- | | |
|------------------------------------|---|
| Store cupboard essentials | Batteries and light bulbs |
| Fresh fruit and vegetables | Newspapers and magazines |
| Milk, butter, eggs, cheese | Cards and gifts |
| Fresh bread daily | Stationery |
| Meat and fish | Logs and Kindling |
| Frozen foods | Hot food, drinks and sandwiches |
| Sweets, chocolate, ice cream | Dry cleaning, laundry, ironing, |
| Beers, wines and spirits | clothing alterations |
| Basic over-the-counter medications | Ordering service for meat, fish, fruit, veg |
| Household products and toiletries | Post Office services |

Pop in, say hello, and support your village shop

Open:

Monday to Friday 7.30am to 5.30pm

Saturday 8am to 3pm

Sunday 8am to 12pm

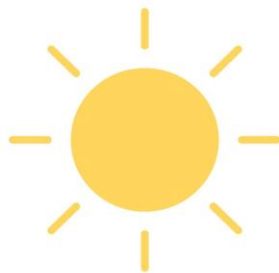
Ashton Hayes & Mouldsworth Community Shop, Kelsall Road, Ashton Hayes, Chester, CH3 8BH
amcshop@btconnect.com
01829 759023



Ashton Sings

Ashton Sings Community Choir Summer Concert

Featuring Norley Primary
School Singers



Saturday 27th June 7.30pm
Kelsall Community Centre,
Chester Road, CW6 0SB
Ticket price:
Adult **£7.50** Child **£3.00**
Includes a cuppa and cake

For tickets ask a choir member or
contact: ashtonsings@yahoo.co.uk
Tickets also available on the door

Strawberry Cream Tea

Enjoy a relaxing afternoon
with friends and neighbours

Sunday 12th July

2.30pm – 5.00pm

In the garden of Orchard Croft
Duck Lane, Ashton Hayes

TICKETS
£10 each



TICKETS AVAILABLE FROM

Hilary Clegg
01829 458453

or

Margaret Papworth
01829 759086

All proceeds to be donated to church funds

Village Fun Day & Fun Dog Show

Ashton Hayes

Saturday July 11th



Slip & Slide

Water Fun & Games

Bar

Raffle

Fun Races

Craft Stalls

Live Music

Playing Field
from 12

Vintage Vehicles

BBQ & Refreshments



All funds raised go to:

AHSRA - Ashton Hayes Sports & Recreation Association

ashtonhayespc.co.uk/community-info/ahsra-ashton-hayes-sports-and-recreation-association/